

## Parklet Construction Drawings

These construction documents are provided for open-source use to create a modular parklet with bicycle parking and / or seating components with self-watering planter boxes and a shade awning.\*

The project is courtesy of the North Central Texas Council of Governments, Blue Green Grey Grant and was designed by Amanda Popken Development along with the design team at DSGN Design, TBG Partners, and constructed by Stash Design and STARTS Permaculture.

Modules may be combined in any order. Each is interlocking and interchangeable.

The plans include a module with a shorter planter box to accommodate a visibility triangle at a street corner, and a shade component within the larger planter boxes.

Longer benches may serve as seating for outdoor dining tables placed between.



See this parklet at Veracruz Cafe in the Bishop Arts District, Dallas Tx

Contact Amanda Popken with any questions about these drawings, best practices for parklets and municipal policy on parklet installation: [ap@amandapopken.com](mailto:ap@amandapopken.com)

\* Note: Check with the municipality where you plan to install your parklet to ensure it complies with any local ordinances governing the design or placement of a parklet, whether on private land or public right of way.

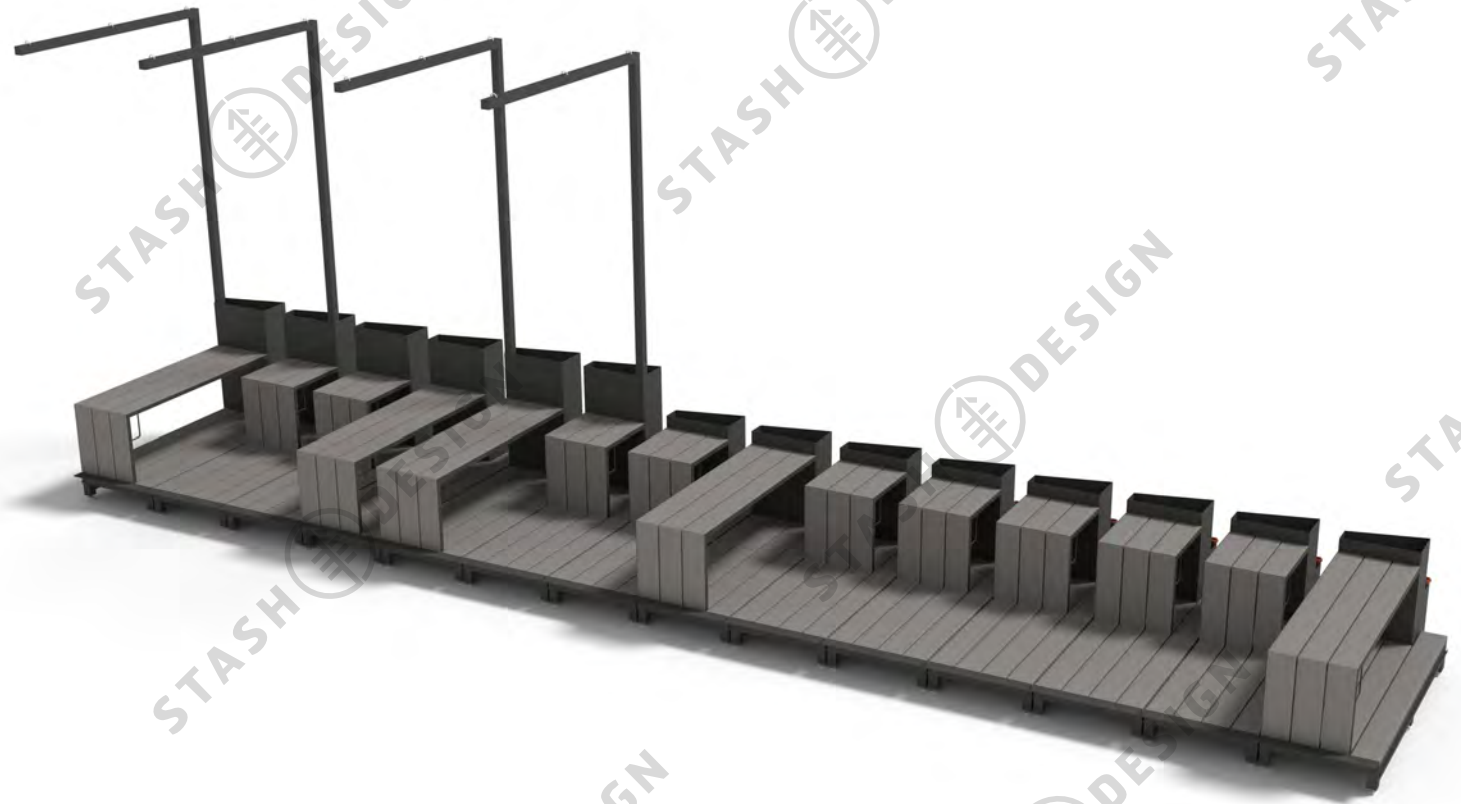


**Materials List**

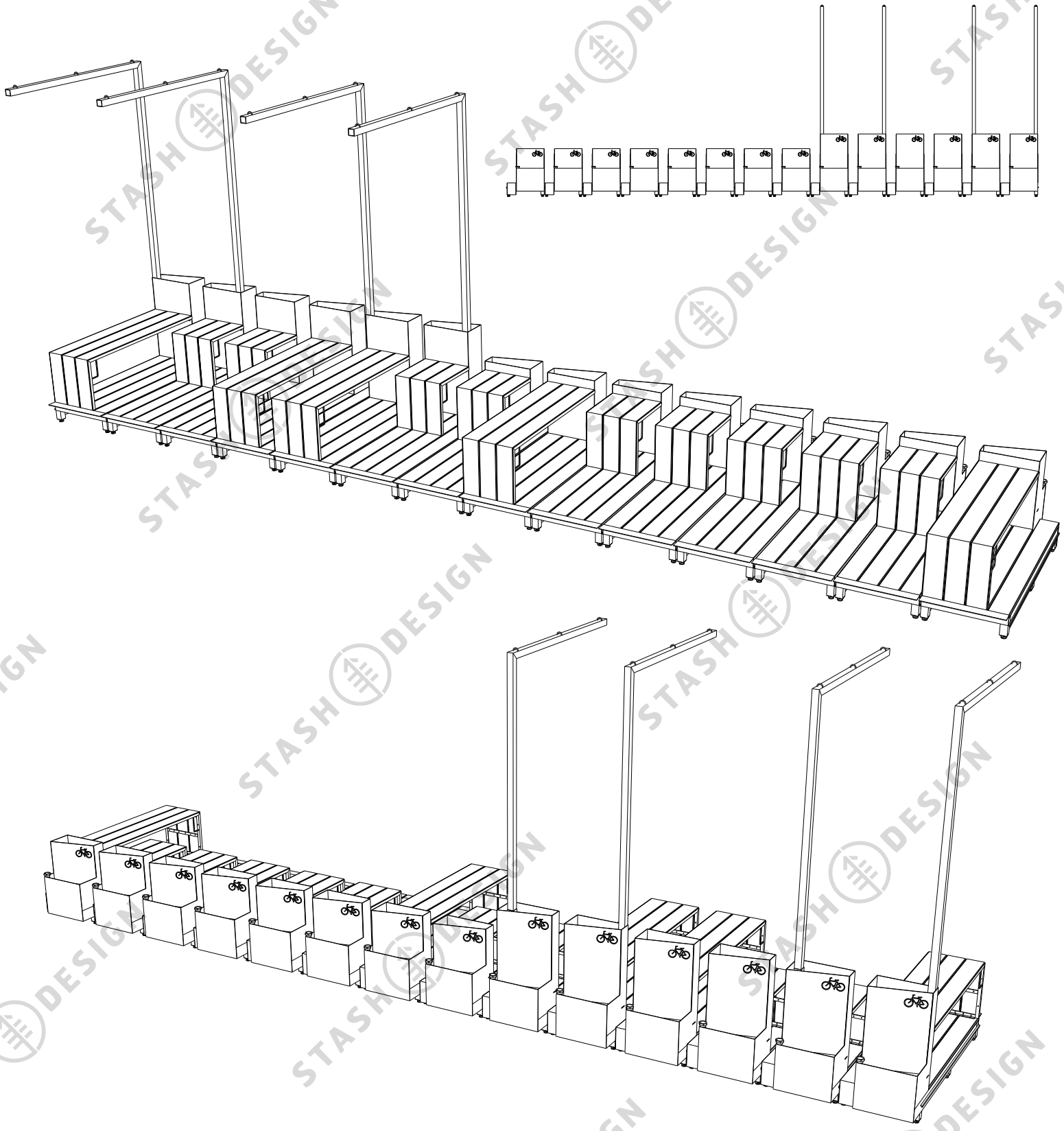
Bishop Arts Parklet

2020

<b>Parklet Component</b>	<b>Item</b>	<b>Description</b>
<b>Base</b>	2"x4" rectangular tube	
	2" square tube	
	2" x 2" angle	
	1/4" x 1/4" angle	
	Levelers	303 Square Insert - Thread Diameter: 3/8-16, Gauge: 11
	Azek - Coastline	1x6 board, capped 4-sides
	Azek - Dark Hickory	1x6 board, capped 4-sides
<b>Bench</b>	Azek - Coastline	1x6 board, capped 4-sides
	1" x 1" angle	
	1/4" x 1" flat	
<b>Planter</b>	16 ga sheet metal	
	2" square tube	
	1" dia. PVC pipe	
	Copper female adapter	
<b>Shade</b>	Sunbrella fabric	Alloy Stratus 4401-0005
	2" square tube	



Revised shop drawing after production  
[ 01 / 07 / 2021 ] - [ 17:10 ] — [ Bishop Arts Parklet ]  
2021 Copyright © STASH Design. All Rights Reserved.



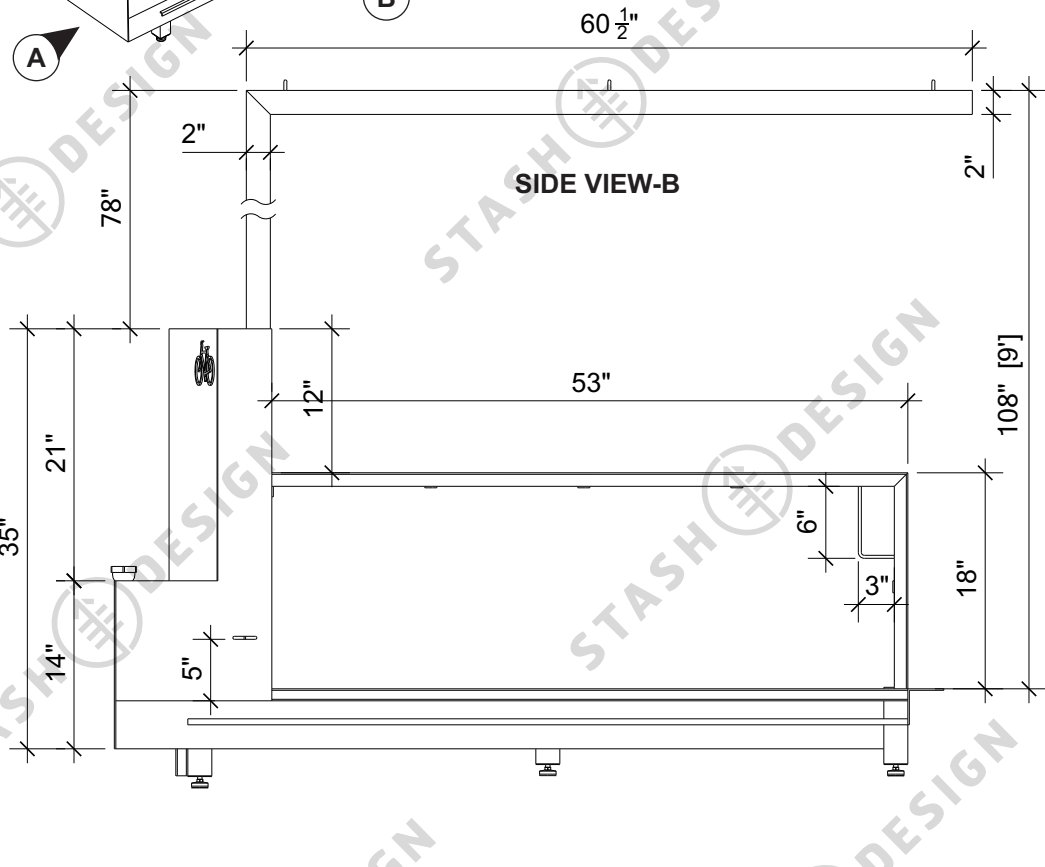
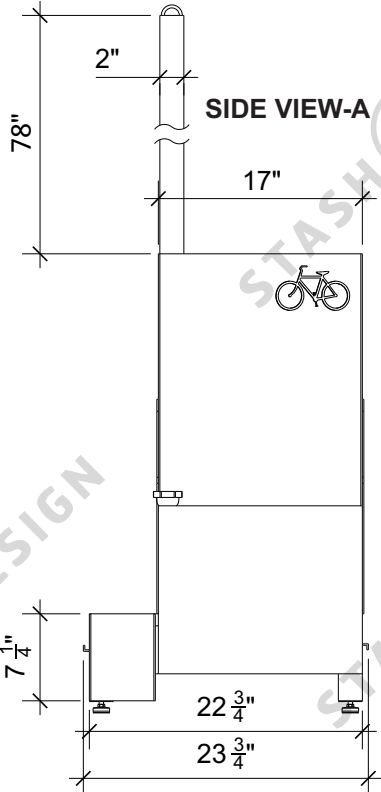
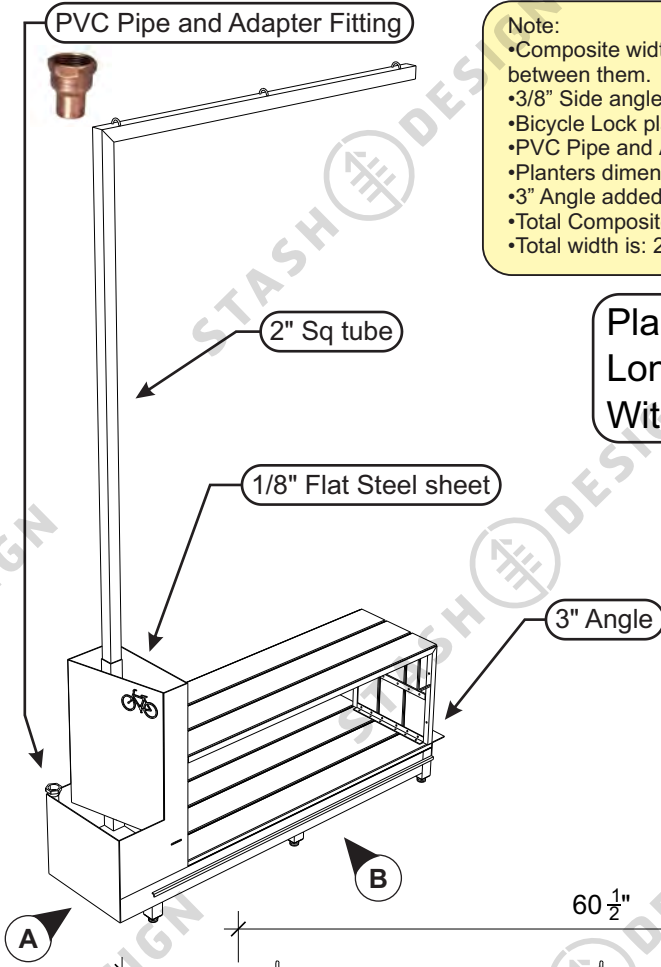
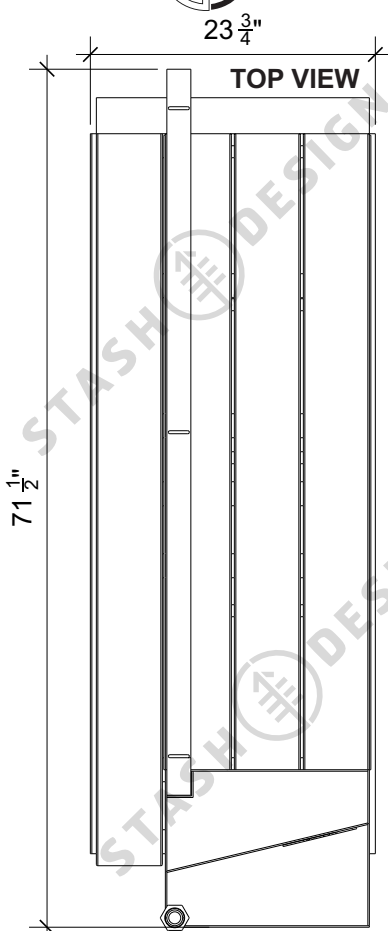
Revised shop drawing after production

[ 01 / 07 / 2021 ] - [ 17:10 ] — [ Bishop Arts Parklet ]  
2021 Copyright © STASH Design. All Rights Reserved.

Note:

- Composite width changed to 5-1/2" with 1/4" gap between them.
- 3/8" Side angles changed to 1/2" angle.
- Bicycle Lock place replaced with bended 1/4" Sq Bar
- PVC Pipe and Adapter Fitting added to the Planter
- Planters dimension adjusted.
- 3" Angle added to curve side.
- Total Composites width is: 22-3/4"
- Total width is: 23-3/4" including 1/2" Angles

**Planter 35"  
Long Seat  
With Shade holder**

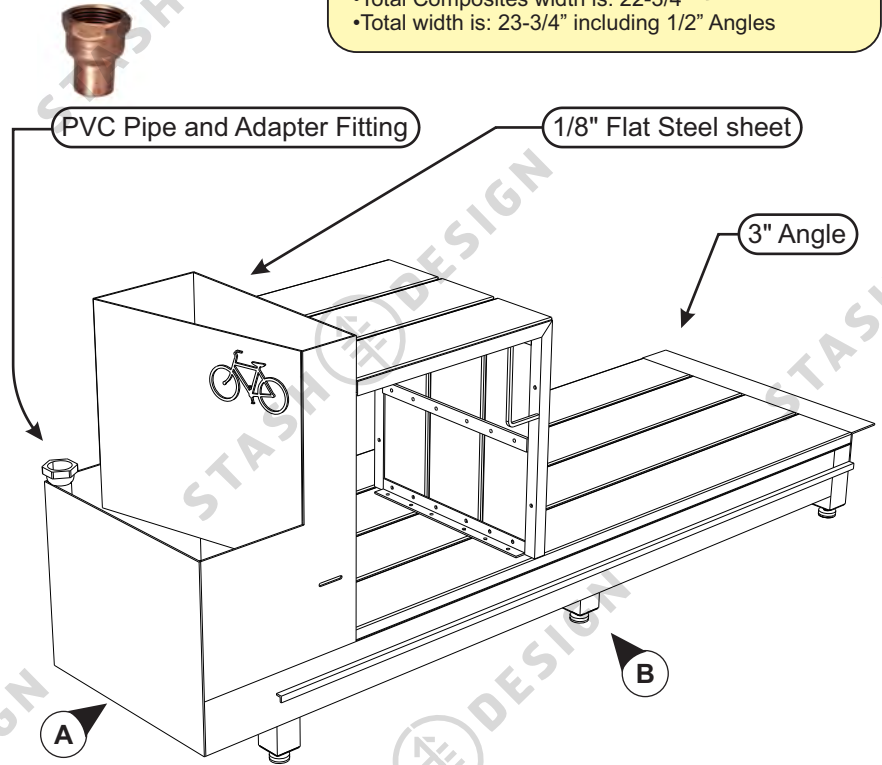
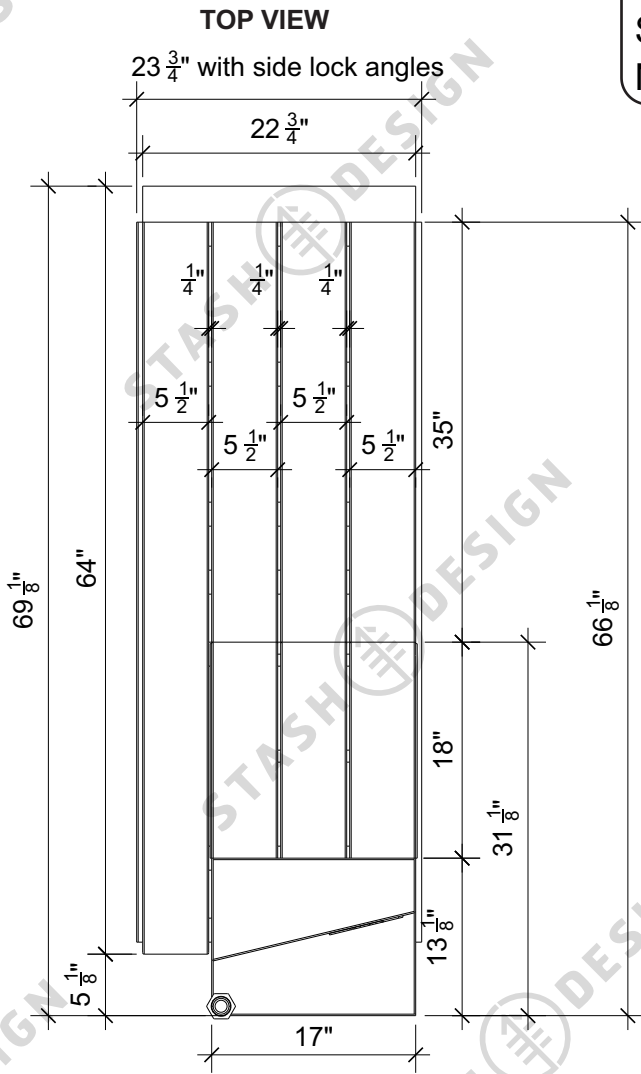


Revised shop drawing after production

Planter 26"  
Short Seat  
No Shade holder

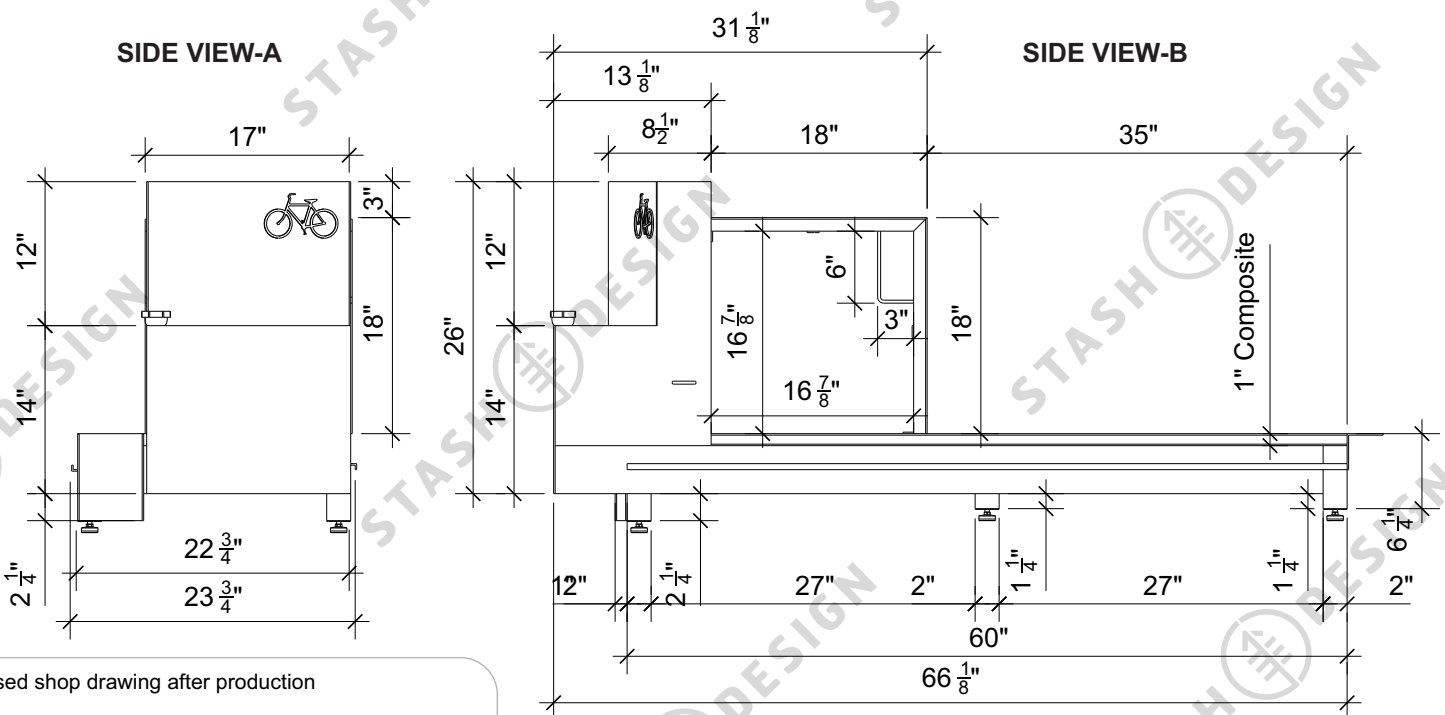
**Note:**

- Composite width changed to 5-1/2" with 1/4" gap between them.
- 3/8" Side angles changed to 1/2" angle.
- Bicycle Lock place replaced with bended 1/4" Sq Bar
- PVC Pipe and Adapter Fitting added to the Planter
- Planters dimension adjusted.
- 3" Angle added to curve side.
- Total Composites width is: 22-3/4"
- Total width is: 23-3/4" including 1/2" Angles



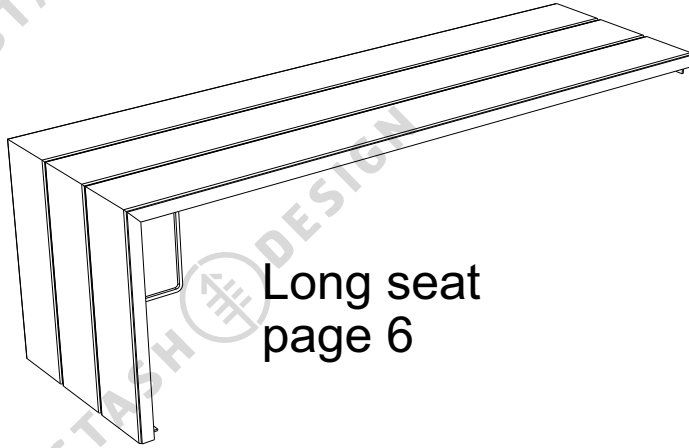
**SIDE VIEW-A**

**SIDE VIEW-B**

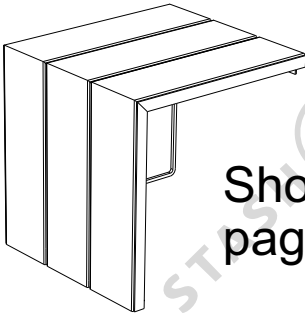


Revised shop drawing after production

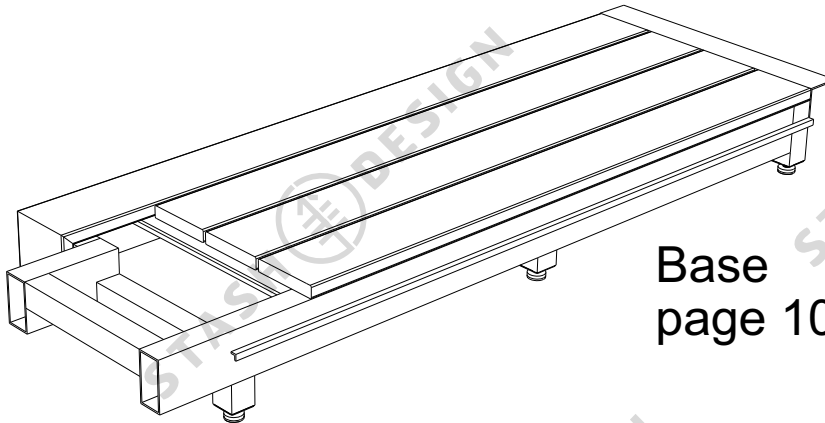




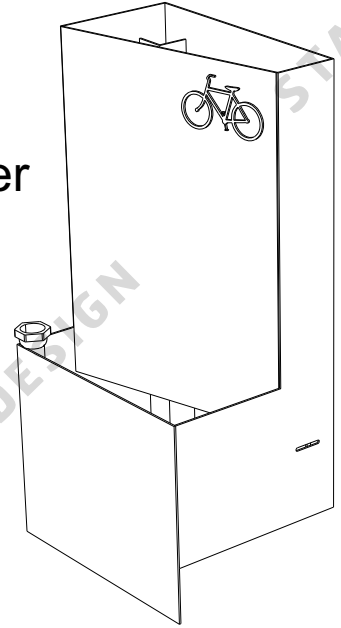
Long seat  
page 6



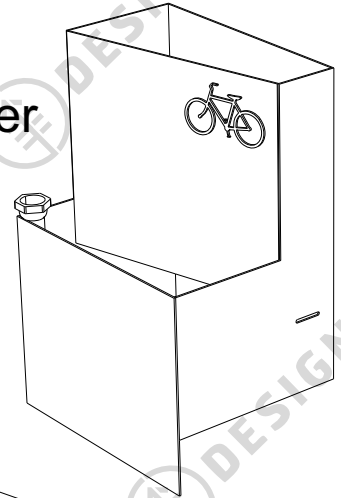
Short seat  
page 7



Base  
page 10



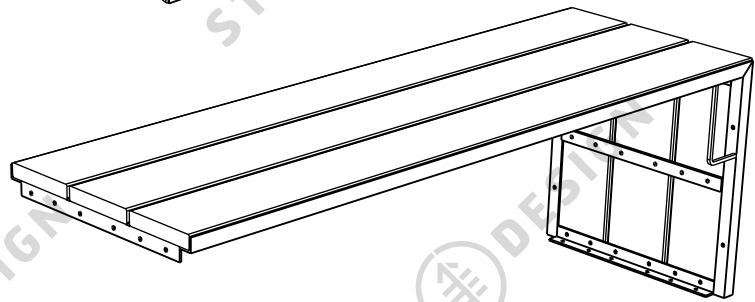
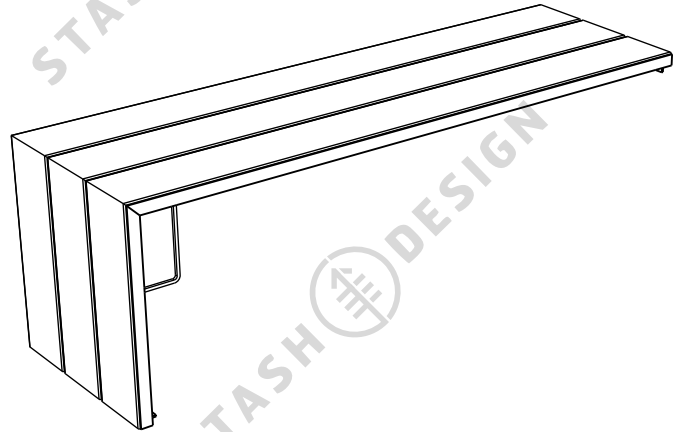
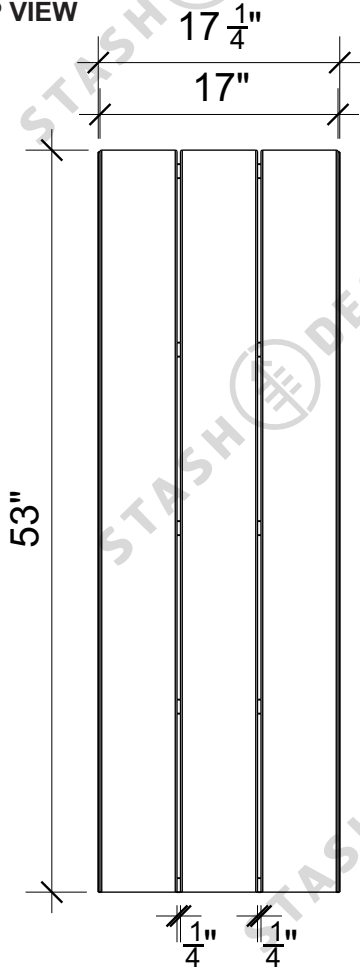
Tall Planter  
page 8



Short Planter  
page 9

Seat 53" (Long)

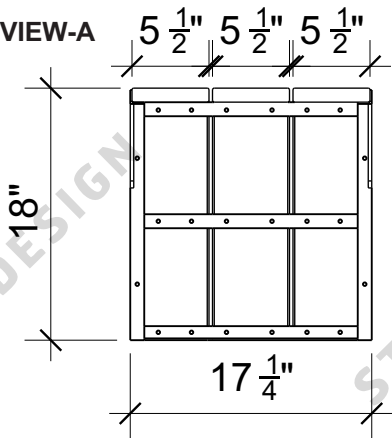
TOP VIEW



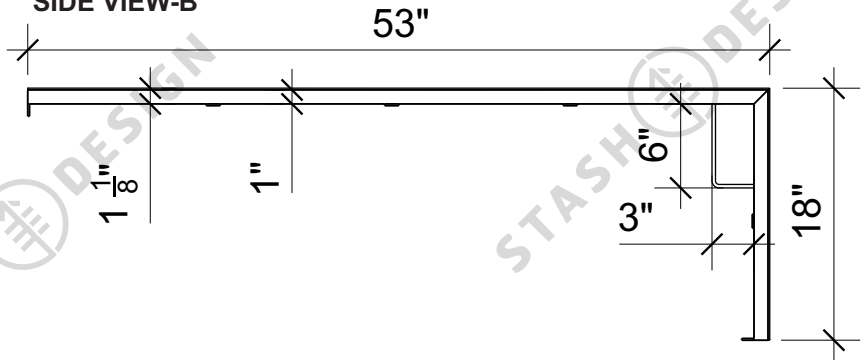
A

B

SIDE VIEW-A



SIDE VIEW-B

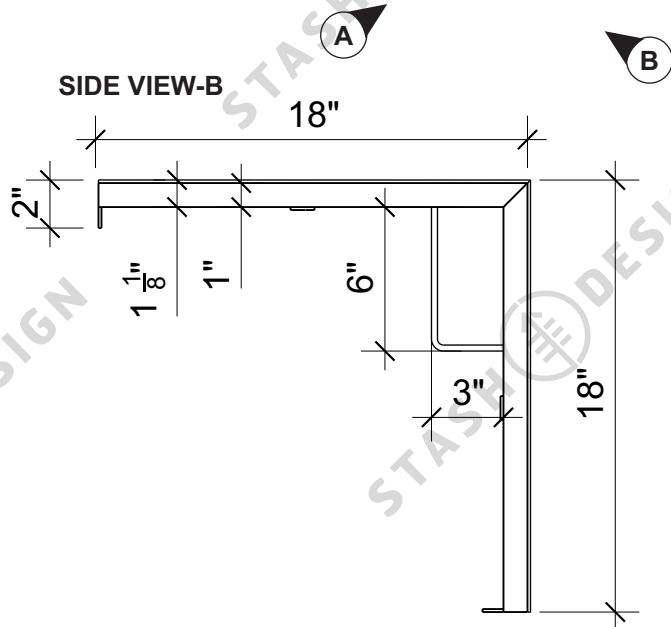
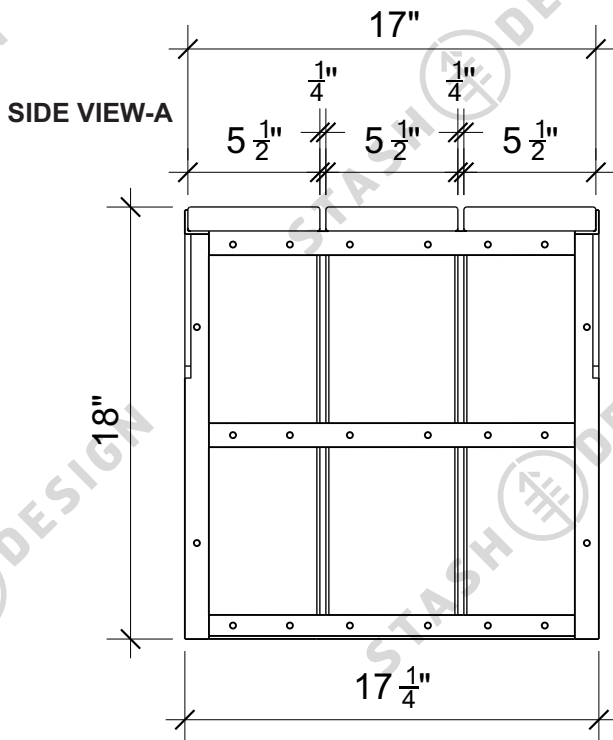
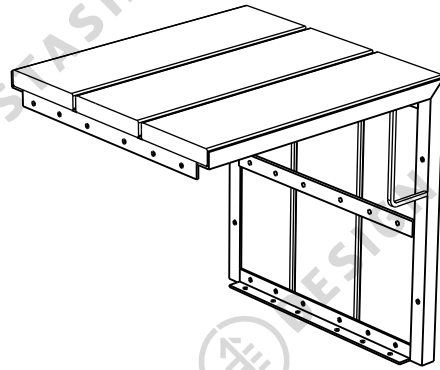
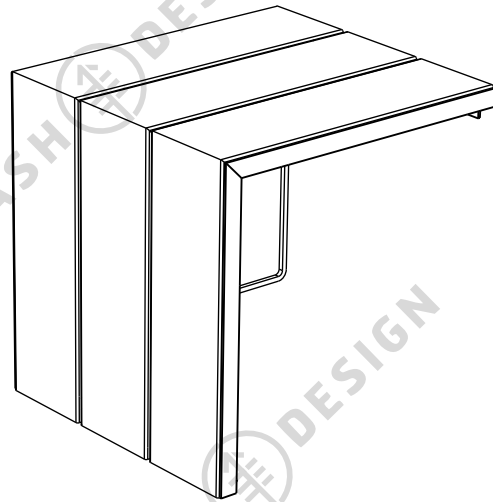
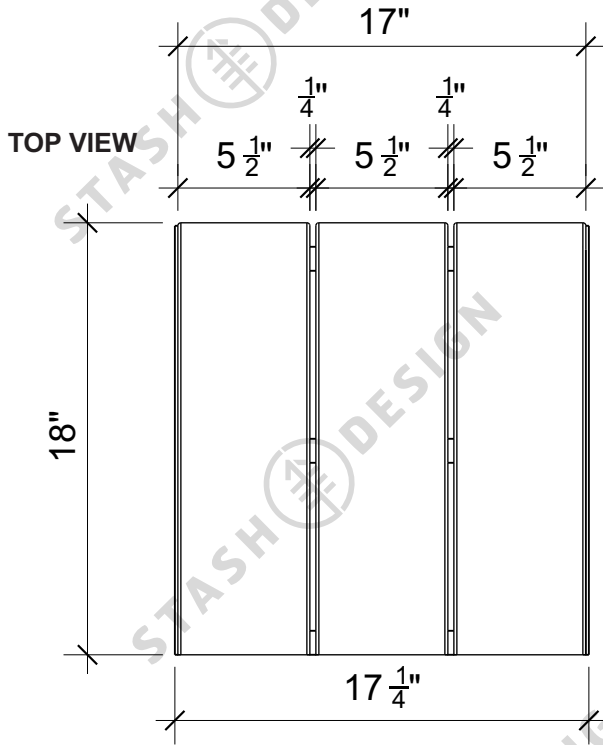


Revised shop drawing after production

[ 01 / 07 / 2021 ] - [ 17:10 ] — [ Bishop Arts Parklet ]  
2021 Copyright © STASH Design. All Rights Reserved.



Seat 18" (Short)



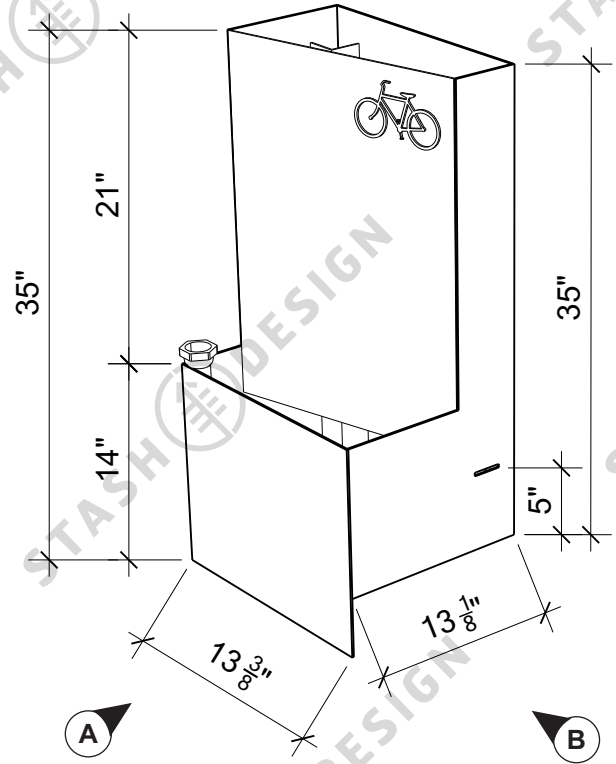
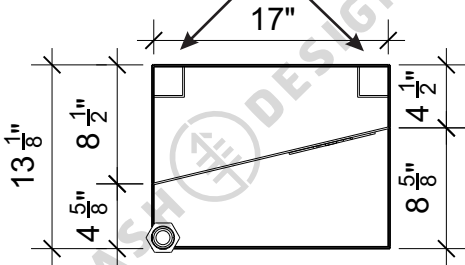
Revised shop drawing after production

[ 01 / 07 / 2021 ] - [ 17:10 ] — [ Bishop Arts Parklet ]  
 2021 Copyright © STASH Design. All Rights Reserved.

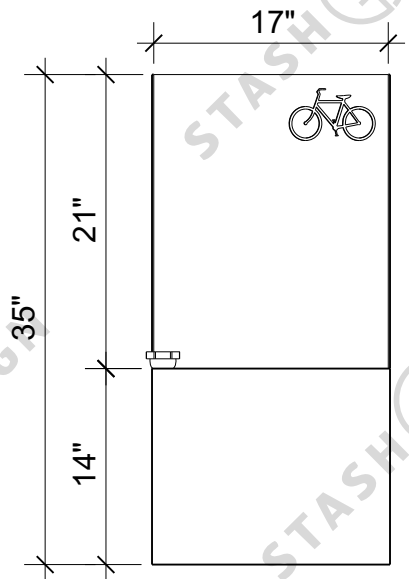
**Planter 35" (Tall)**

Location of holder may vary refer to group drawing to determine location

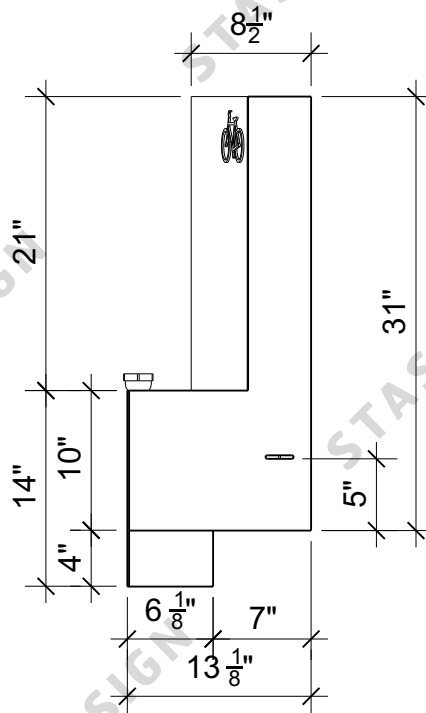
**TOP VIEW**



**SIDE VIEW-A**



**SIDE VIEW-B**

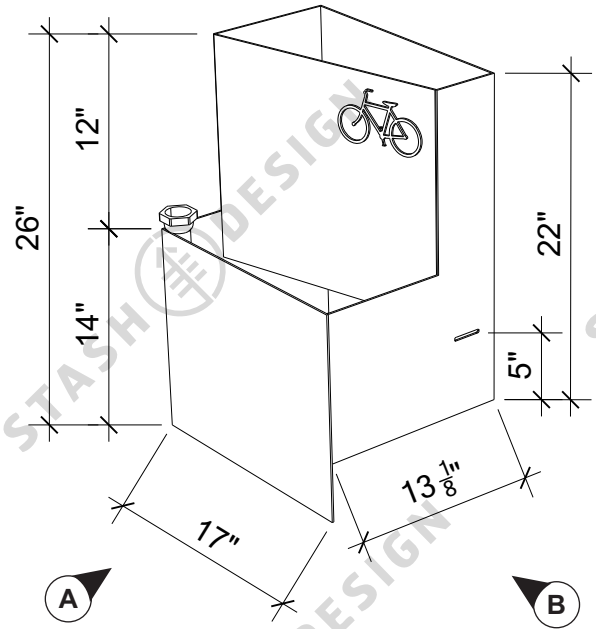
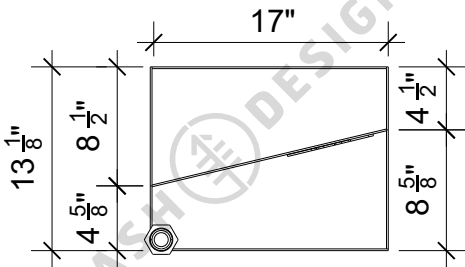


Revised shop drawing after production

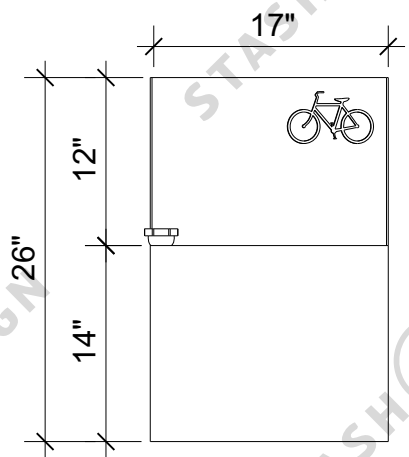
[ 01 / 07 / 2021 ] - [ 17:10 ] — [ Bishop Arts Parklet ]  
2021 Copyright © STASH Design. All Rights Reserved.

**Planter 26" (Short)**

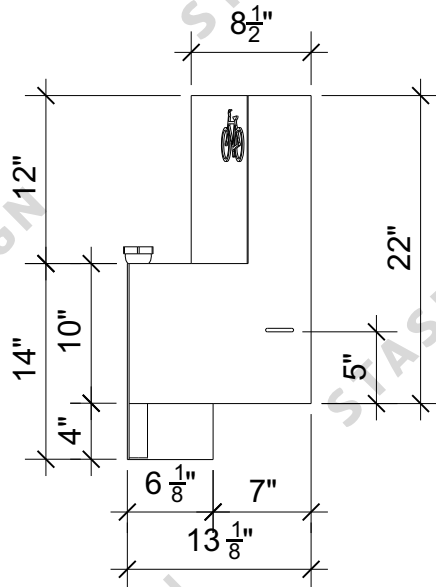
**TOP VIEW**



**SIDE VIEW-A**



**SIDE VIEW-B**

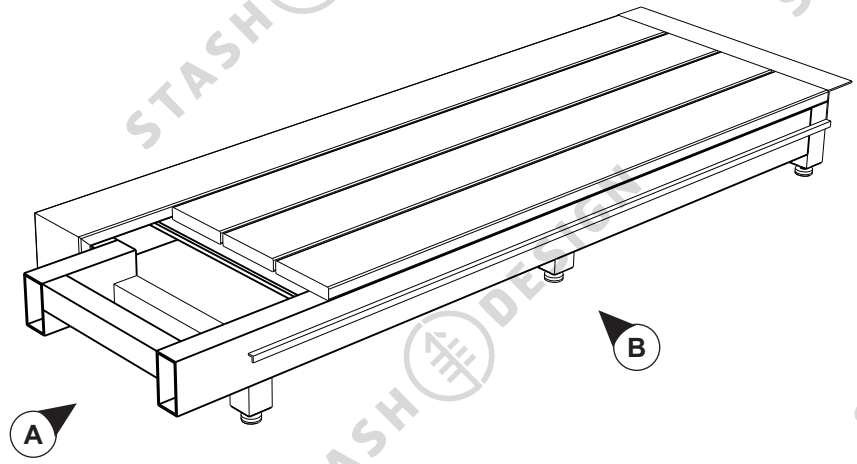
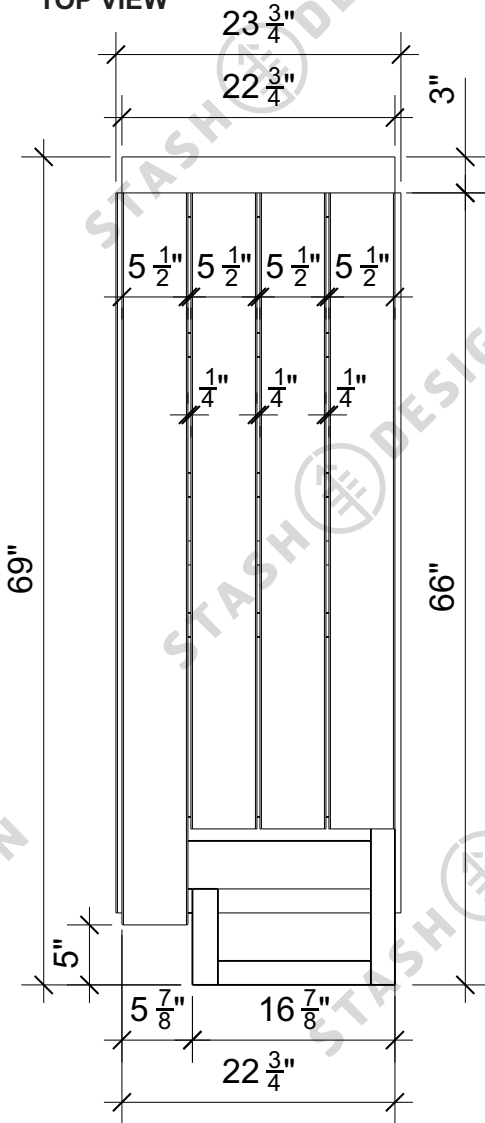


Revised shop drawing after production

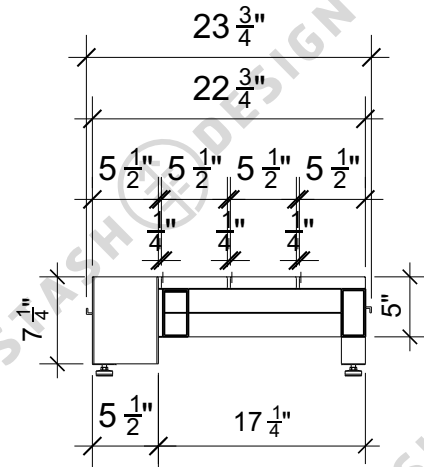
[ 01 / 07 / 2021 ] - [ 17:10 ] — [ Bishop Arts Parklet ]  
2021 Copyright © STASH Design. All Rights Reserved.

**Base**

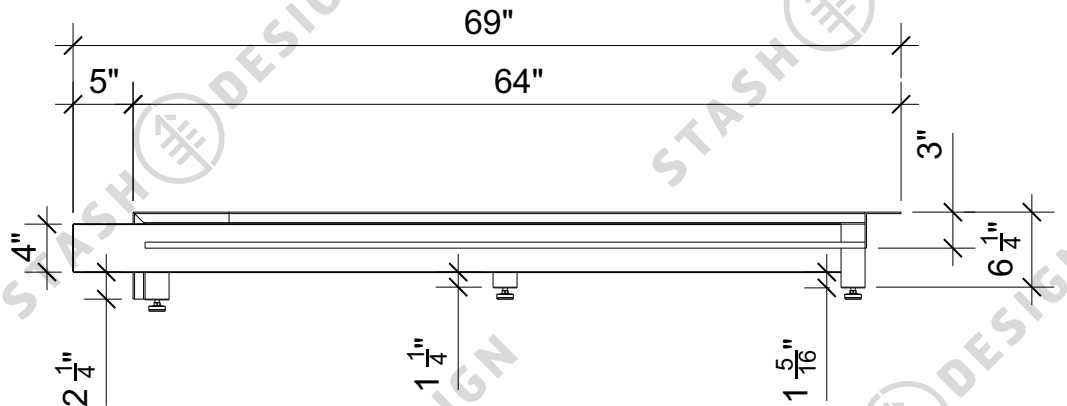
**TOP VIEW**



**SIDE VIEW-A**



**SIDE VIEW-B**



Revised shop drawing after production

[ 01 / 07 / 2021 ] - [ 17:10 ] — [ Bishop Arts Parklet ]  
2021 Copyright © STASH Design. All Rights Reserved.

## Planter Box Detail

Foam insulation and plastic liner will protect plant roots from intense heat and cold. Place root barrier fabric atop the plastic and pipe to keep dirt and roots separate from water reservoir.

Watering plants through the copper mouth allows water to pool in the joint reservoir and wick up to plants in upper planter.



Note the slit on the side of each planter box to allow excess rainwater to drain.

Fill planters with potting soil and plant native flowers.

