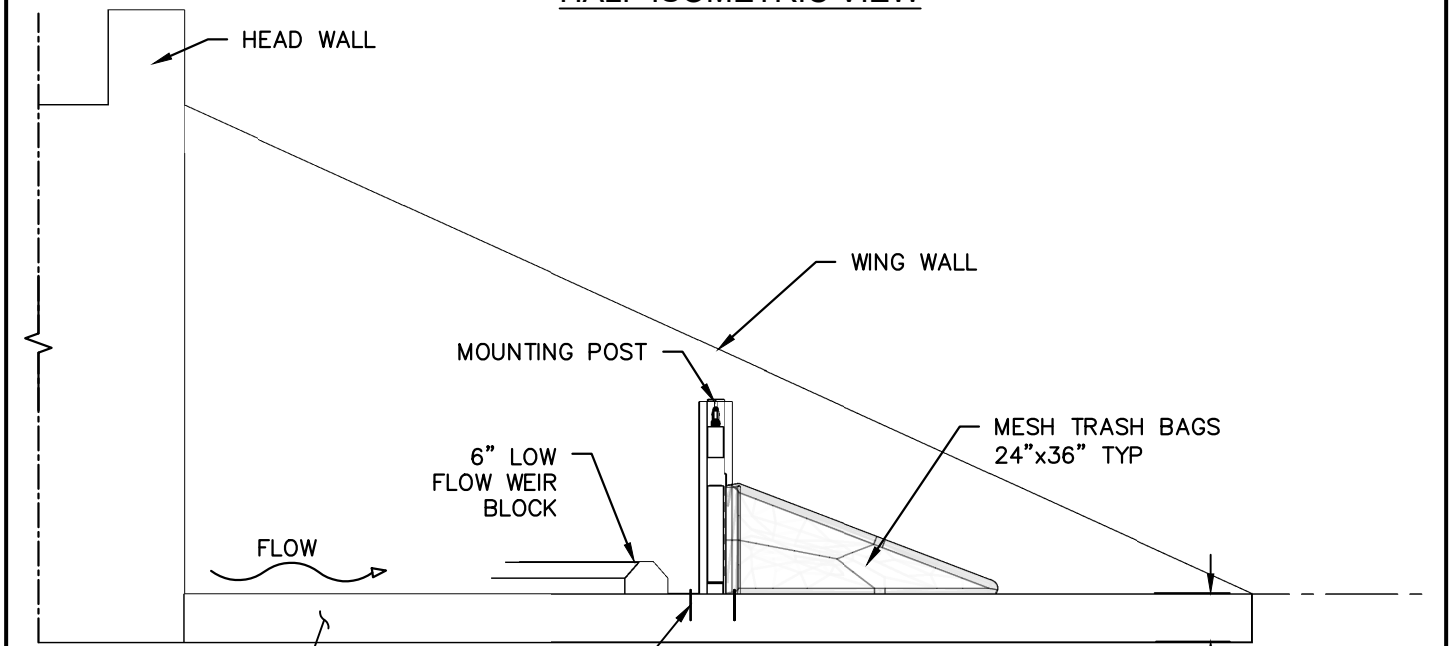


HALF ISOMETRIC VIEW



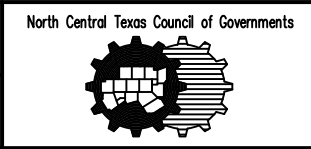
SIDE VIEW WITH HEADWALL

PROPOSED OR EXISTING CONCRETE CHANNEL RIPRAP

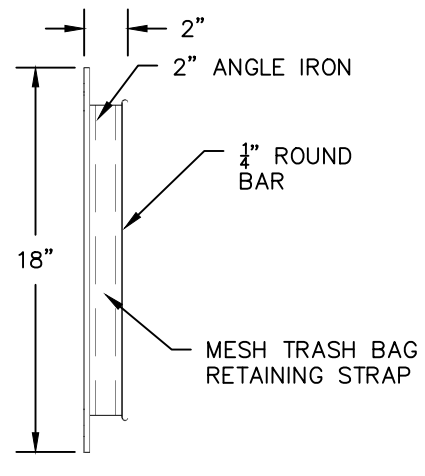
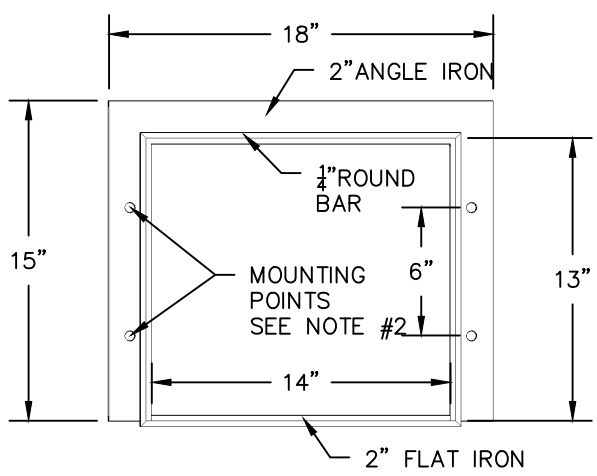
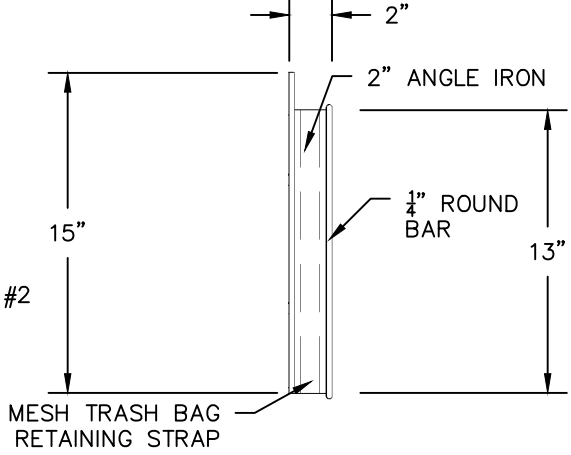
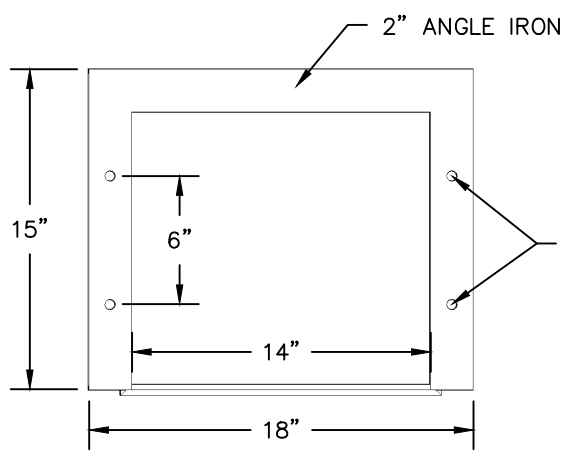
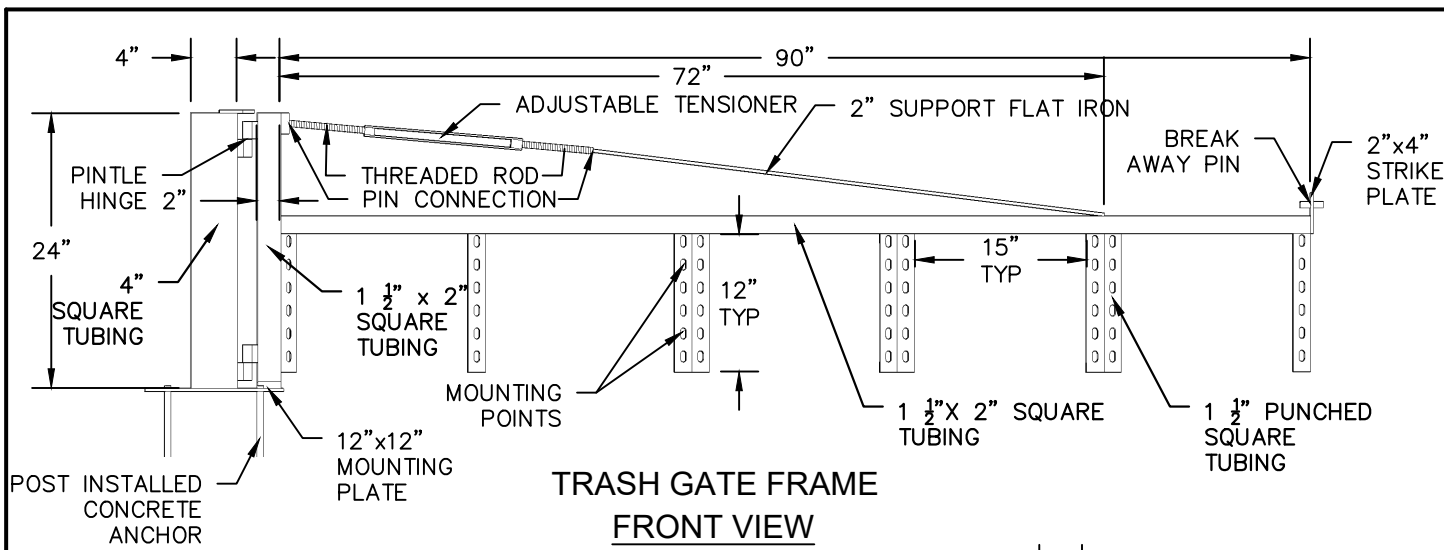
POST INSTALLED CONCRETE ANCHORAGE

ENGINEER TO VERIFY MIN. CONCRETE THICKNESS FOR STRUCTURE ANCHORAGE

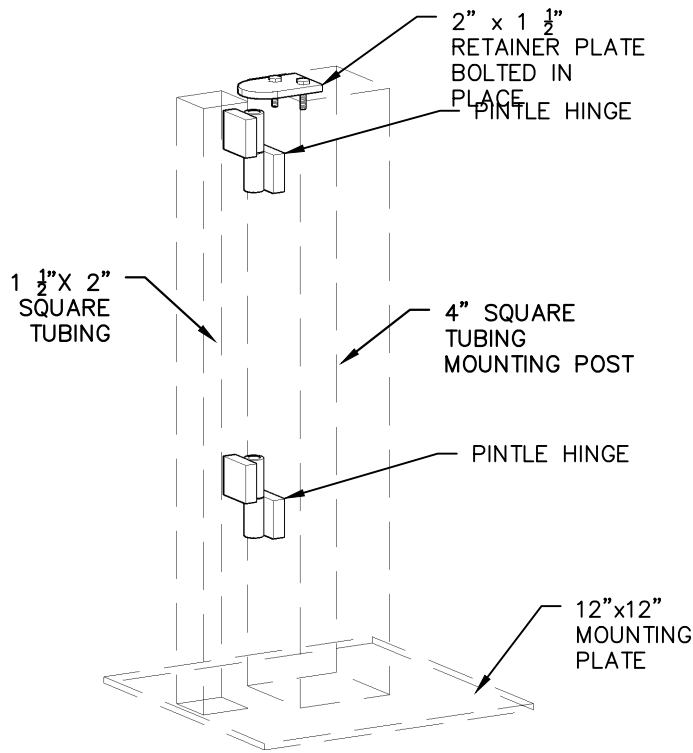
**MULTIPLE OUTLET TRASH
SCREEN BAG SYSTEM**



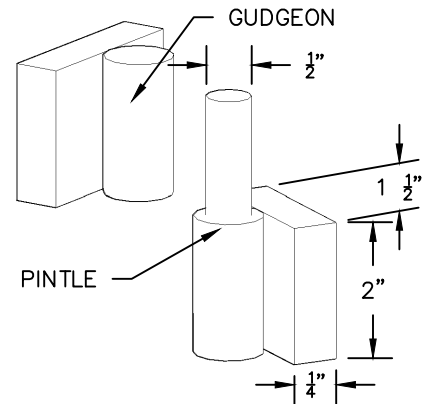
STANDARD SPECIFICATION REFERENCE N/A	
DATE AUG '23	STANDARD DRAWING NO. 1265A



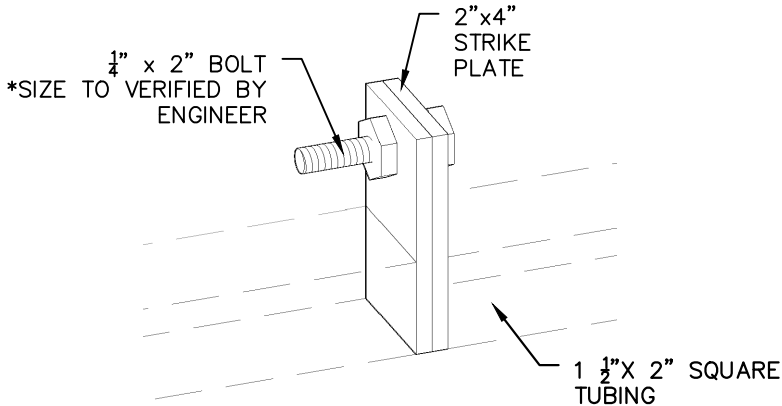
- NOTES:**
1. ALL MATERIAL UNLESS OTHERWISE NOTED IS 1/4" PAINTED STEEL WELDED CONNECTIONS
 2. ATTACH USING 1/2" X 2" THREADED BOLTS WITH 12" WASHERS AND NUTS.
 3. ALL DIMENSIONS ARE BASED ON FIELD MEASUREMENTS, ENGINEER TO VERIFY LENGTHS AND THICKNESS, DEPENDING ON APPLICATION



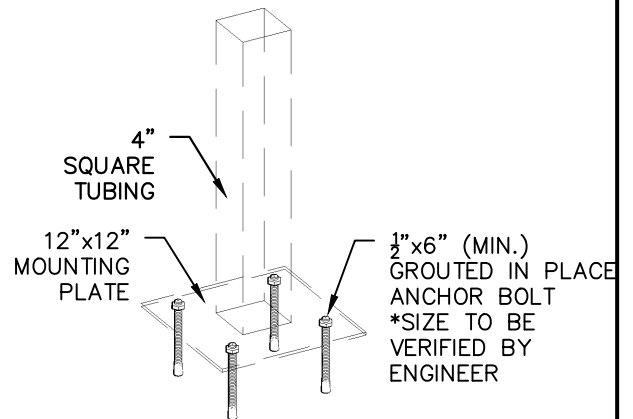
PINTLE HINGE DETAIL



EXPLODED PINTLE HINGE DETAIL



BREAK AWAY PIN DETAIL



POST INSTALLED CONCRETE ANCHOR

NOTES:

1. ALL MATERIAL UNLESS OTHERWISE NOTED IS 1/4" PAINTED STEEL WELDED CONNECTIONS.
2. ATTACH USING 1/2" X 2" THREADED BOLTS WITH 1/2" WASHERS AND NUTS.
3. ALL DIMENSIONS ARE BASED ON FIELD MEASUREMENTS, ENGINEER TO VERIFY LENGTHS AND THICKNESS, DEPENDING ON APPLICATION

MULTIPLE OUTLET TRASH
SCREEN BAG SYSTEM

North Central Texas Council of Governments



STANDARD SPECIFICATION REFERENCE

N/A

DATE

AUG '23

STANDARD DRAWING NO.

1265C